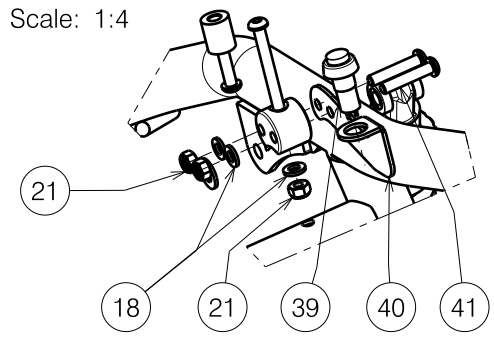


Detail A  
Scale: 1:4




EP00061 /H

<h3>MAIN FRAME SPRINGER KIDS</h3>				Plan No.
				EP00061/H
Scale : 1:8	Drafted	Verified	Confirmed	
Date	31/03/2011	26/03/2020	26/03/2020	
Init.	AS	DB	TK	

Material			
No.	Plan	Article	Number
1	YP02258	18953..	1
2	YP02198	18951..	1
3	YP02200	18952..	1
4	YP02972	2819254	2
5	YP02752	2854854	1
6	YP02751	2854754	1
7	XP00562	2990709	4
8	XP00792	2991131	2
9	XP00795	2991286	2
10	Battery	1997015	2
11	---	1999843	4
12	LE 50A	1910896	1
13	---	---	-
14	DIN912-M5x35	1007961	2
15	---	---	-
16	---	---	-
17	ISO7380-M6x16	1008459	8
18	DIN125A-M6	1000973	14
19	DIN985-M5	1001679	2
20	M5	1000972	2
21	DIN985-M6	1001680	6
22	ISO7380-M6x35	1006057	2
23	ISO7380-M8x45	1994473	4
24	X001119	1001554	12
25	DIN985-M8	1001682	6
26	DIN912-M10x90	2992421	2
27	DIN125A-M10	1001558	2
28	DIN985-M10	1001683	2
29	---	1001610	2
30	---	1001409	4

Material			
No.	Plan	Article	Number
31	DIN985-M12	1001684	2
32	Block grey	1915158	2
	Block black	1915159	2
	Line black L	1915160	1
	Line black R	1915161	1
	Line bl. L Rolkofill	1915162	1
	Line bl. R Rolkofill	1915163	1
	Block bl. Rolkofill	1915164	2
33	---	1001611	2
34	DIN912-M8x120	1994676	2
35	M6x50	1006997	2
36	DIN-M5x12	1001489	2
37	---	---	-
38	YP03009	2821354	1
39	---	1903130	1
40	YP03011	2821754	1
41	ISO7380-M6x30	1009588	2
42	XP00863	2829154	4

EP00061/H

MAIN FRAME SPRINGER KIDS				Plan No.
				EP00061/H
Scale 1:8	Drafted	Verified	Confirmed	
Date	30/03/2011	26/03/2020	26/03/2020	
Init.	AS	DB	TK	