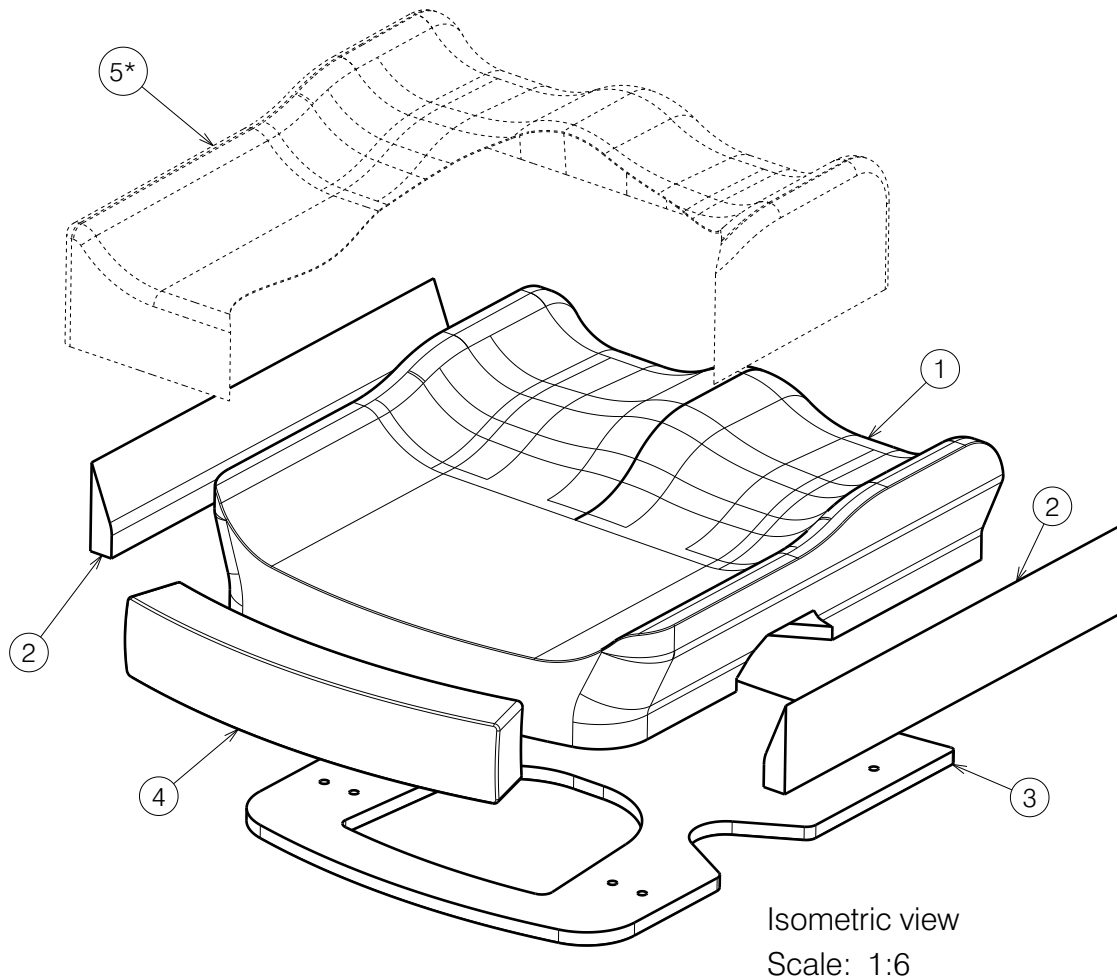



Material			
No.	Plan	Article	Quantity
1	1905883 (40)	1905883	1
	X004722 (45)	1906397	1
	X004840 (50)	1906399	1
2	X004933	1907425	1
3	X004570 (40)	H7622	1
	X004577 (45)	H7625	1
	X004837 (50)	H7627	1
4	XP03298	2997000	1
5*	COVER	---	-

Long version for 50cm and 52cm seat depth.



EP00604 / A

SEAT FOAMS L35 LONG FOREST 3 / SIGMA / NAVIX				Plan No.
				EP00604 / A
Scale: 1:1	Drafted	Verified	Confirmed	
Date	10/08/2021	10/08/2021	10/08/2021	
Initials	MK	PM	TK	