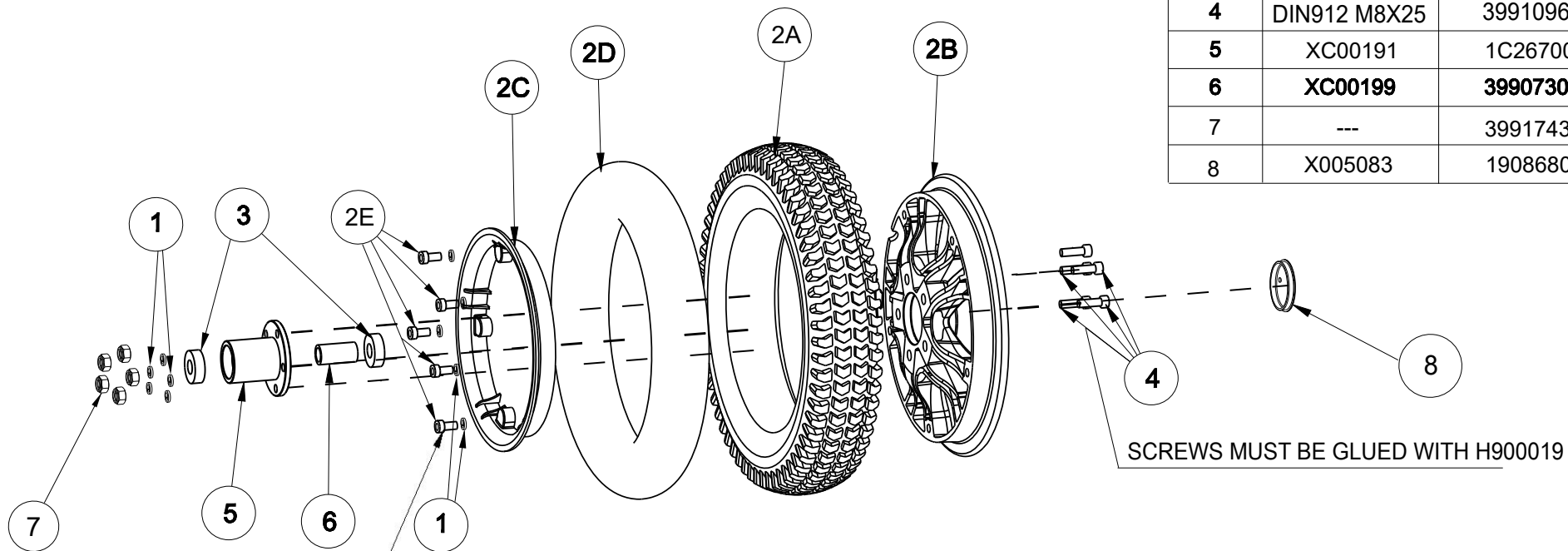



Material			
No.	Plan	Article	Number
1	---	1917729	10
2	---	3992790	1
2A	---	1905403	1
2B	X005469	2011804	1
2C	X005470	2011904	1
2D	---	1006903	1
2E	DIN912 M8X20	3991197	5
3	---	3991077	2
4	DIN912 M8X25	3991096	5
5	XC00191	1C26700	1
6	XC00199	3990730	1
7	---	3991743	5
8	X005083	1908680	1



SCREWS MUST BE GLUED WITH H900019

Torque: 25NM
SCREW MUST BE GLUED WITH H900019

EC00298/I

SV CARPO SE FRONT WHEEL ASM				Plan No.
				EC00298/I
Scale: 1:4	Drafted	Verified	Confirmed	
Date	02/07/2021	02/07/2021	02/07/2021	
Init.	AZ	JJQ	JJQ	