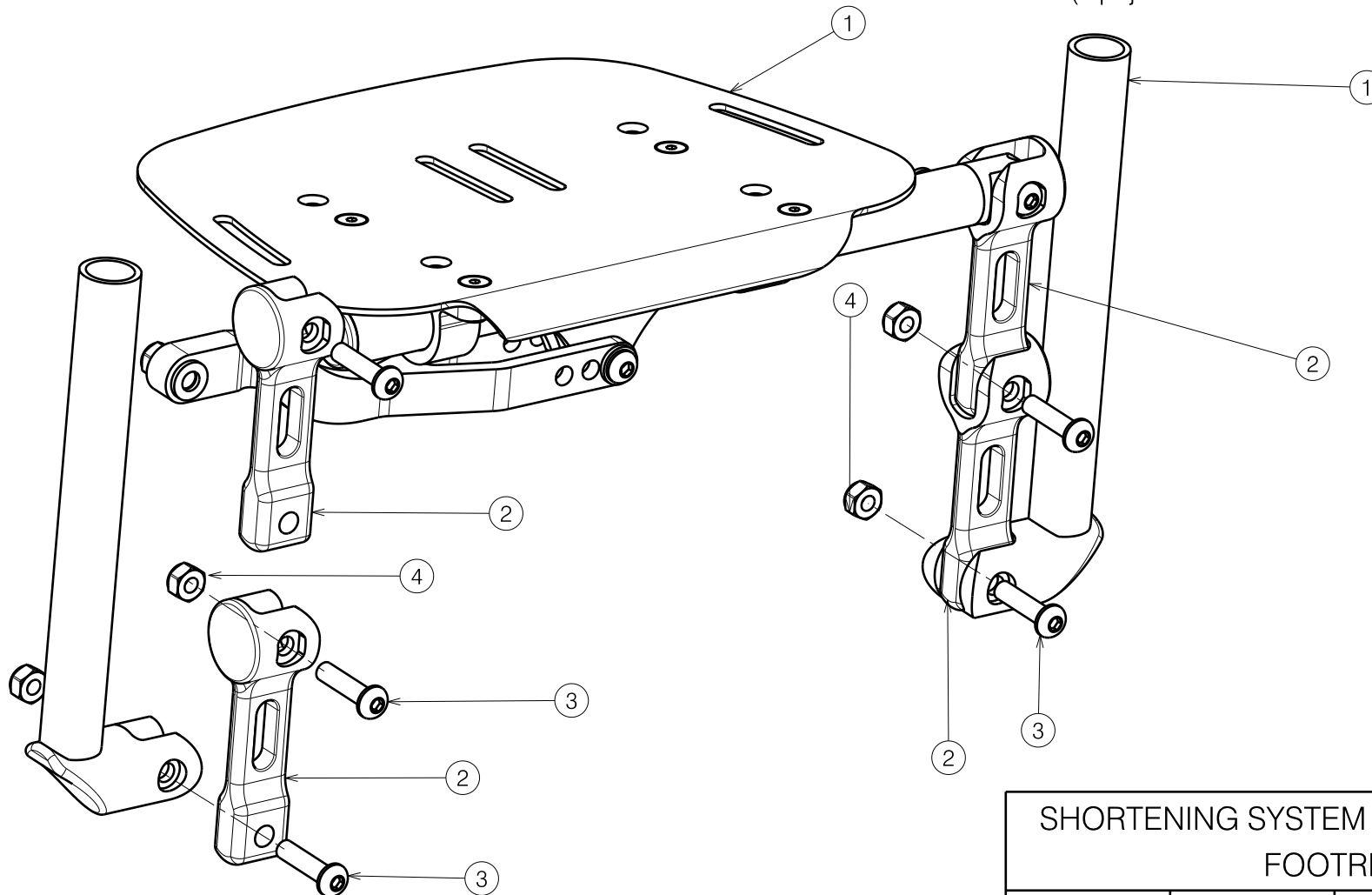


Material			
No.	Plan	Article	Quantity
1	EP00245	---	1
* 2	XP01991	GP14399	2 or 4
* 3	M6x25	2994062	2 or 4
* 4	M6	2994063	2 or 4

* Optional depending on the desired height 65 or 130mm.
(Opcjonalnie w zaleznosci od zadanej wysokosci 65 lub 130mm)



EP00355 / B

SHORTENING SYSTEM FOR THE FOLDING
FOOTREST

Plan No.

EP00355/ B

Scale: 1:2	Drafted	Verified	Confirmed
Date	09/11/2018	12/03/2020	12/03/2020
Initials	AS	MK	TK

