


2993718

SIGMA MOTOR SYSTEM				Plan No. E001092 / L
Sheet 1/4 Right Side				
Scale: 1:5	Drafted	Verified	Confirmed	
Date	14/06/2018	13/09/2023	13/09/2023	
Initials	SD	PM	MK	

To attach front light cable E001092 / L


Material							
No.	Plan	Article	Quantity	No.	Plan	Article	Quantity
1	X005913	G103300	1	22*	M5 DIN985	1001679	4
2	X005083	1908680	1	23	X001016	1001682	3
3	X005839	1915116	1	24	M12 DIN985	1001684	2
4*	X005732	1914519	1	25	M8x70 DIN912	1005289	3
4**	X005870	1915673	1	26	M12x1,5 DIN985	1993736	1
5	Y022317	20440..	1	27	M8x75 DIN931	1006110	1
6*	Y022613	2046254	1	28*	M5x16 ISO7380	1006112	1
7	Y022824	2046554	1	29*	M6x10 ISO7380	1900641	1
8	X005809	2050004	1	30	M8x16 ISO7380	1991858	2
10A	350W - 10 km/h	1904170	1	31	6003-ZZ	1001409	1
10B	220W - 6 km/h	1916563	1	32	M12x1,25 NYBL	1994605	1
11	Ø200x50	1915170	1	33	M4 DIN127	1998515	4
12	Block Grey tyre	1915153	1	34	M4x10 ISO7380	1998758	1
	Block Black tyre	1915154	1	35	M8	1998994	1
	Line Black Right	1915156	1	36	Y023085	20529..	1
	Rolkofill Block Bl.	1915157	1	37	M5 DIN125	1001550	2
13*	M5 DIN125	1000972	2	38	Y023112	2053854	1
14*	Front Light	1914551	1	39	M5x16 DIN912	1007198	2
15	6202/16-2Z	1914813	2	40*	---	W620262	1
16	M5x10 DIN916	1001485	1	41	M4x6 ISO7380	1915808	3
17	M8x16 DIN912	1915411	5	43	M8x85 DIN912	1902802	1
19	M12 DIN125A	1001561	3	44	X005589	1912549	1
20	Ø38	1001611	1				
21	M8 DIN934	1001671	1				

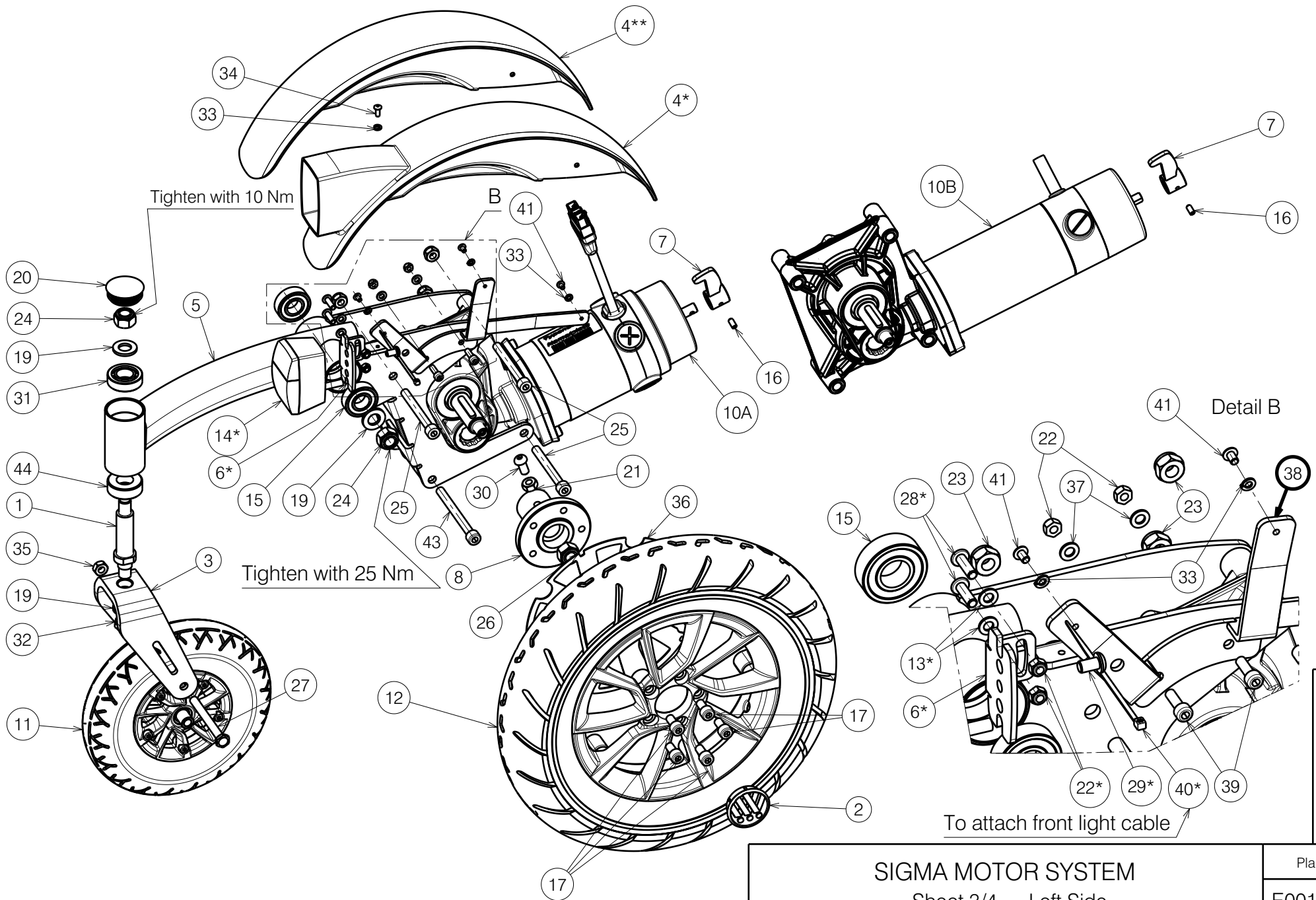
* With lighting

** Without lighting

2993718

E001092 / L

SIGMA MOTOR SYSTEM				Plan No.
Sheet 2/4 Right Side				E001092 / L
Scale: 1:5	Drafted	Verified	Confirmed	
Date	14/06/2018	13/09/2023	13/09/2023	
Initials	SD	PM	MK	



2993718

SIGMA MOTOR SYSTEM Sheet 3/4 Left Side				Plan No.
				E001092 / L
Scale: 1:5	Drafted	Verified	Confirmed	
Date	14/06/2018	13/09/2023	13/09/2023	
Initials	SD	PM	MK	

E001092 / L


Material							
No.	Plan	Article	Quantity	No.	Plan	Article	Quantity
1	X005913	G103300	1	22*	M5 DIN985	1001679	4
2	X005083	1908680	1	23	X001016	1001682	3
3	X005839	1915116	1	24	M12 DIN985	1001684	2
4*	X005731	1914518	1	25	M8x70 DIN912	1005289	3
4**	X005869	1915672	1	26	M12x1,5 DIN985	1993736	1
5	Y022333	20441..	1	27	M8x75 DIN931	1006110	1
6*	Y022613	2046254	1	28*	M5x16 ISO7380	1006112	1
7	Y022824	2046554	1	29*	M6x10 ISO7380	1900641	1
8	X005809	2050004	1	30	M8x16 ISO7380	1991858	2
10A	350W - 10 km/h	1904171	1	31	6003- ZZ	1001409	1
10B	220W - 6 km/h	1916564	1	32	M12x1,25 NYBL	1994605	1
11	Ø200x50	1915170	1	33	M4 DIN127	1998515	4
12	Block Grey tyre	1915153	1	34	M4x10 ISO7380	1998758	1
	Block Black tyre	1915154	1	35	M8	1998994	1
	Line Black Left	1915155	1	36	Y023085	20529..	1
	Rolkofill Block Bl.	1915157	1	37	M5 DIN125	1001550	2
13*	M5 DIN125	1000972	2	38	Y023111	2053754	1
14*	Front Light	1914551	1	39	M5x16 DIN912	1007198	2
15	6202/16-2Z	1914813	2	40*	---	W620262	1
16	M5x10 DIN916	1001485	1	41	M4x6 ISO7380	1915808	3
17	M8x16 DIN916	1915411	5	43	M8x85 DIN912	1902802	1
19	M12 DIN125A	1001561	3	44	X005589	1912549	1
20	Ø38	1001611	1				
21	M8 DIN934	1001671	1				

* With lighting

** Without lighting

2993718

E001092 / L

SIGMA MOTOR SYSTEM				Plan No.
Sheet 4/4 Left Side				E001092 / L
Scale: 1:5	Drafted	Verified	Confirmed	
Date	14/06/2018	13/09/2023	13/09/2023	
Initials	SD	PM	MK	