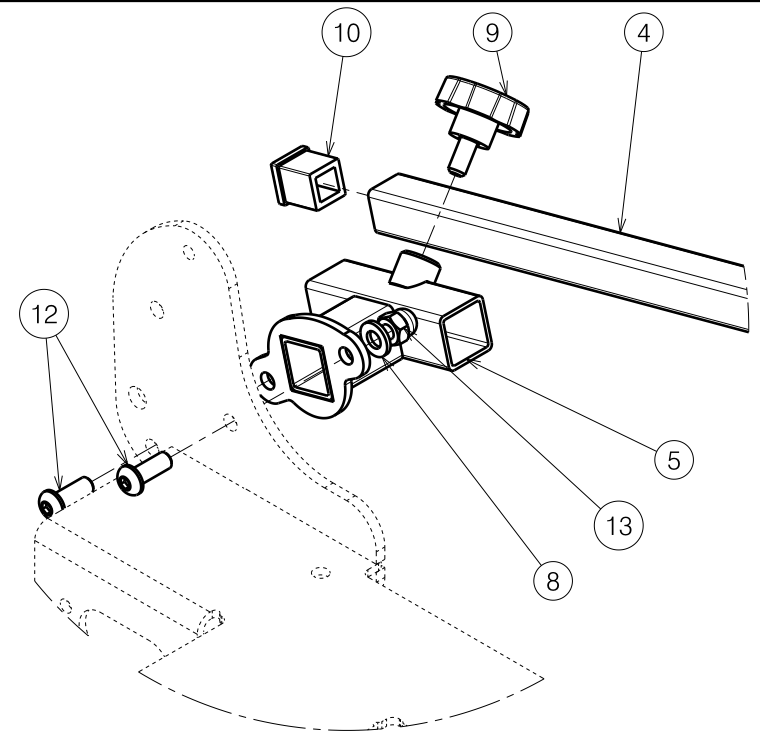
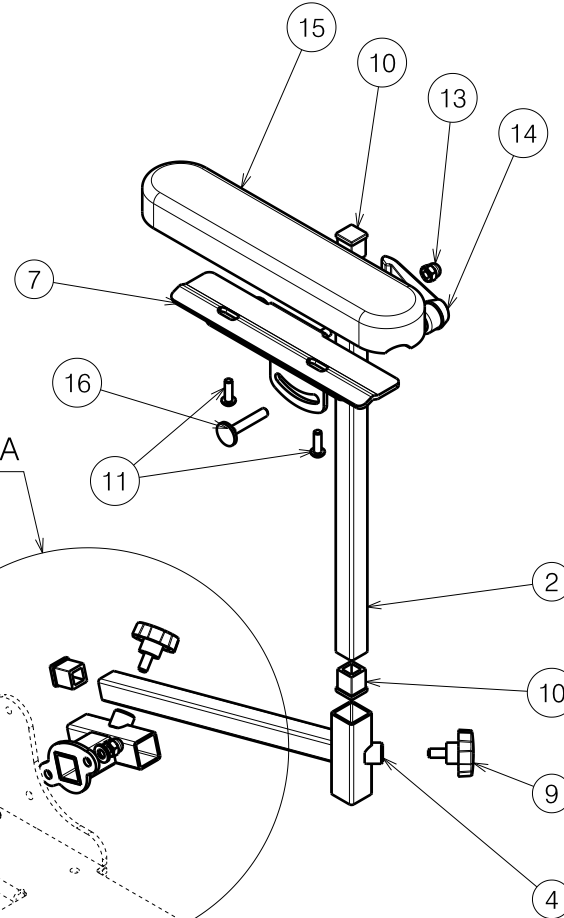
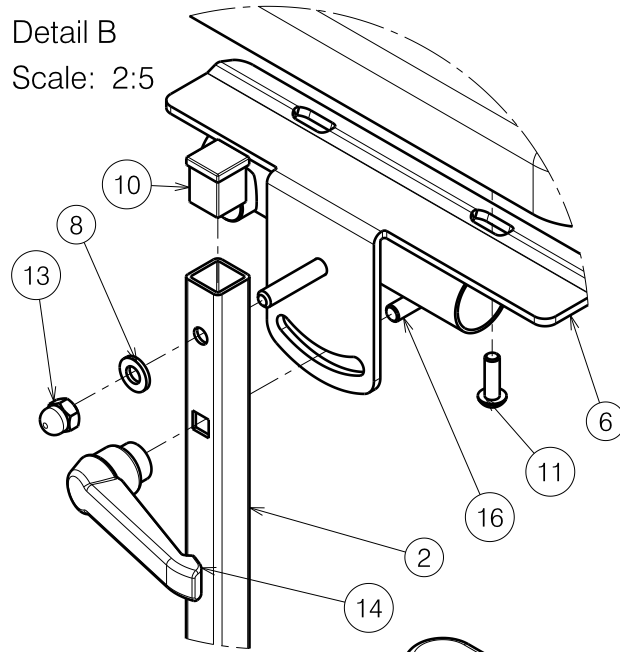
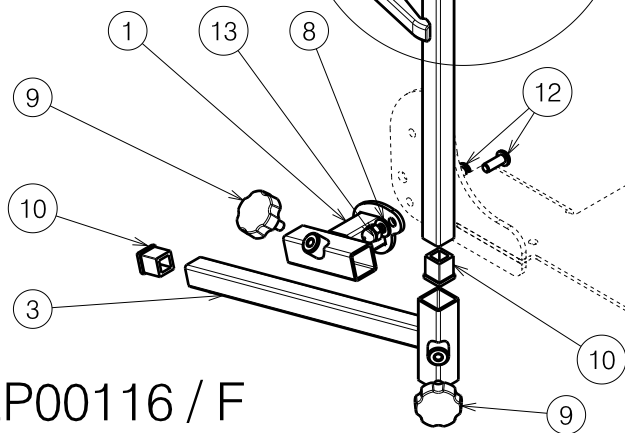
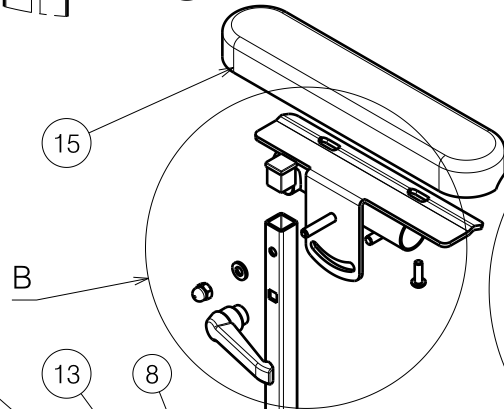


Detail B  
Scale: 2:5



Detail A  
Scale: 2:5



EP00116 / F

EXPLODED VIEW BAYO 32 ARMREST

Plan No.

Page 1/2

EP00116/ F

Scale: 1:5

Drafted

Verified

Confirmed

Date

22/05/2013

08/11/2013

08/11/2013

Initials

WM


BS

TK



Material			
No.	Plan	Article	Quantity
1	YP04267	2849906	1
2	YP04288	2850400	2
3	YP04293	2850700	1
4	YP04294	2850800	1
5	YP04611	2870306	1
6	YP04612	2870400	1
7	YP04613	2870500	1
8	D12XD6.4X1.2 DIN125-1A	1001564	6
9	M6x12	1003658	4
10	---	1005899	6
11	M5x16	1006112	4
12	M6x16	1008459	4
13	---	1008492	6
14	---	1996843	2
15	---	2991050	2
16	M6x30 DIN 603	2992511	2

EP00116 / F

EXPLODED VIEW BAYO 32 ARMREST				Plan No.
Page 2/2				EP00116/ F
Scale: 1:5	Drafted	Verified	Confirmed	
Date	22/05/2013	08/11/2013	08/11/2013	
Initials	WM	BS	TK	