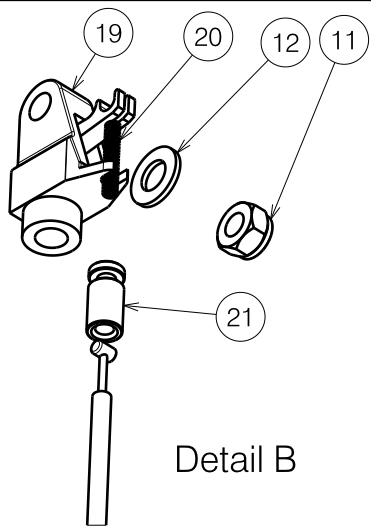


Sheet / Blad 1/2

SEAT FRAME EZ-1 ZITFRAME EZ-1			Plan No. / Plannr. E000190/E
Scale / Schaal: 1:5	Drafted / Getekend	Verified / Nagezien	Confirmed / Bevestigd
Date / Datum	12/01/2005	14/03/2012	14/03/2012
Init. / Init.	SD	SV	PJ

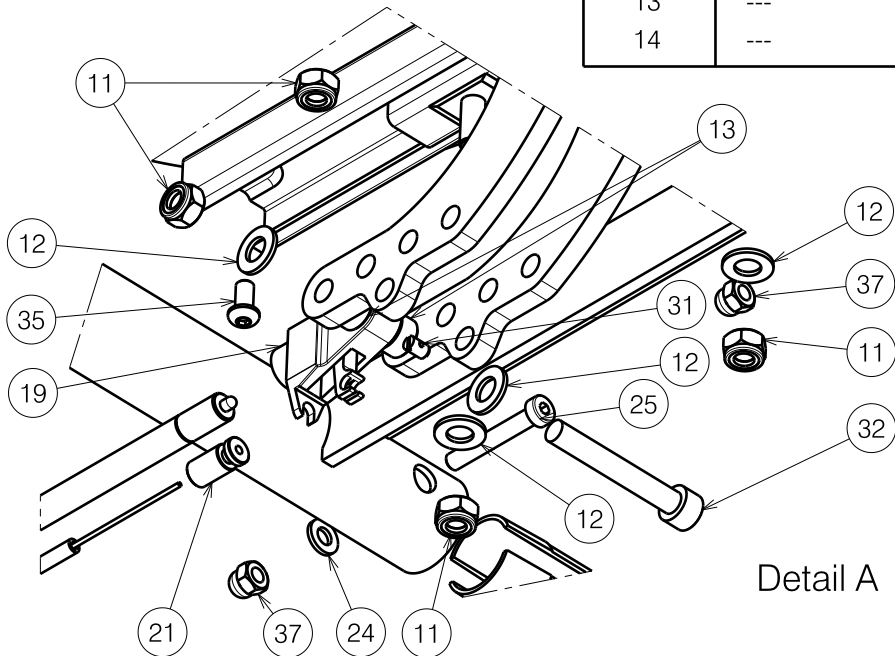




Detail B

Material / Materiaal							
No. / Nr.	Plan / Plan	Article / Artikel	Number / Aantal	No. / Nr.	Plan / Plan	Article / Artikel	Number / Aantal
1	Y005684	15977..	1	15	---	1007517	2
2	X002921	1996321	4	16	X002965	1584400	2
3	Y006181	15979..	1	17	---	1003199	4
4	Y005685	15978..	1	18	---	1990980	2
5	Y006071	15983..	1	19	---	1994748	3
6	Y006733	15984..	1	20	---	1996947	2
7	X002711 (39)	H7553	1	21	---	1994750	3
	X002767 (42)	H7554	1	22	---	1008942	2
	X002829 (45)	H7555	1	23	---	1008459	2
	X002845 (48)	H7556	1	24	---	1001564	6
	X003004 (51)	H7557	1	25	---	1006850	4
	X002887 (54)	H7558	1	26A	---	1003279	1.42 m
	X003191 (57)	H7559	1	26B	---	1003279	1.24 m
8	---	1998118	1	27	---	1992149	2
9	Y006920	15982..	2	28	---	1996853	1
10	Y006314	16139..	1	29	---	1996872	1
11	---	1001682	13	30	---	1005602	1
12	---	1001554	16	31	---	1994749	1
13	---	1992349	4	32	---	1009927	1
14	---	1992717	2	33	X002708	1996783	2
				34	---	1998119	1
				35	---	1007000	4
				36	---	1009583	2
				37	---	1008492	4
				38	X002448	1517200	2
				39	---	1996799	2
				40*	---	1908105	4

* = Not depicted



Detail A

Sheet / Blad 2/2

SEAT FRAME EZ-1 ZITFRAME EZ-1				Plan No. / Plannr.
				E000190/E
Scale / Schaal: 1:5	Drafted / Getekend	Verified / Nagezien	Confirmed / Bevestigd	
Date / Datum	12/01/2005	14/03/2012	14/03/2012	
Init. / Init.	SD	SV	PJ	