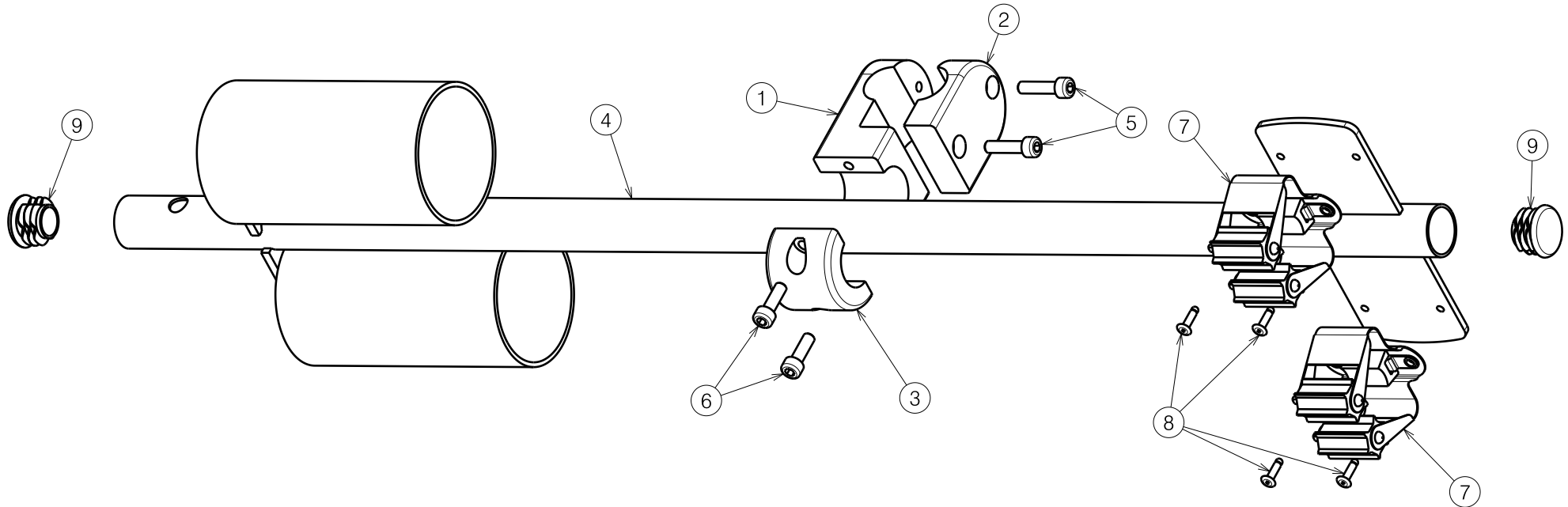



Material			
No.	Plan	Article	Quantity
1	X005595	2025399	1
2	X005596	2025499	1
3	X005597	2025599	1
4	Y019481	1784204	1
5	M5x20 DIN912	1003907	2
6	M5x16 DIN912	1007198	2
7	---	1908818	2
8	D3x10	1908849	4
9	D22	1990648	2



E000852 / B

B31 CRUTCH HOLDER NAVIX				Plan No.
				E000852 / B
Scale: 1:5	Drafted	Verified	Confirmed	
Date	03/01/2013	21/11/2016	21/11/2016	
Initials	SV	SD	PJ	