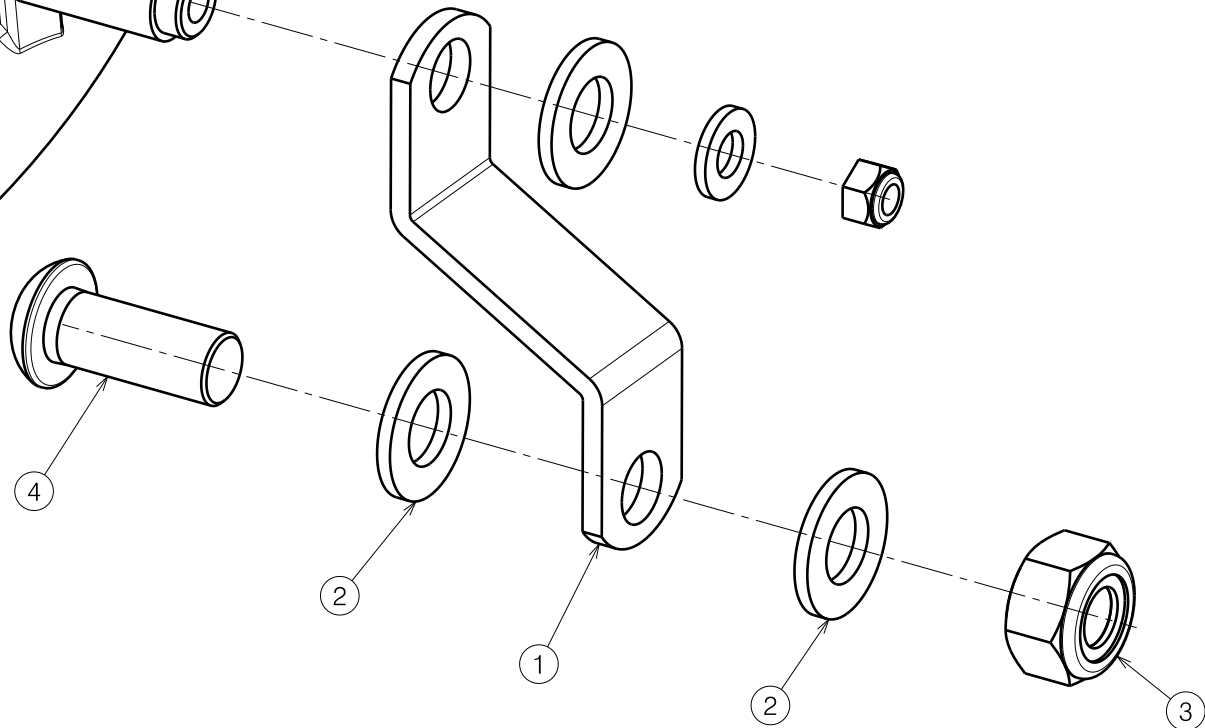


Material			
No.	Plan	Article	Quantity
1	Y019327	1784454	2
2	M10 DIN125	1001558	4
3	M10 DIN985	1001683	2
4	M10X25 ISO7380	1992165	2

Only one side depicted



ADAPTER FRONT LIGHTING NAVIX SH40  
ADAPTER VOORLICHT NAVIX ZH40

Plan No.

E000853 / A

Scale: 1:1

Drafted

Verified

Confirmed

Date

09/01/2013

09/01/2013

09/01/2013

Initials

SD

SD

PJ



E000853 / A