
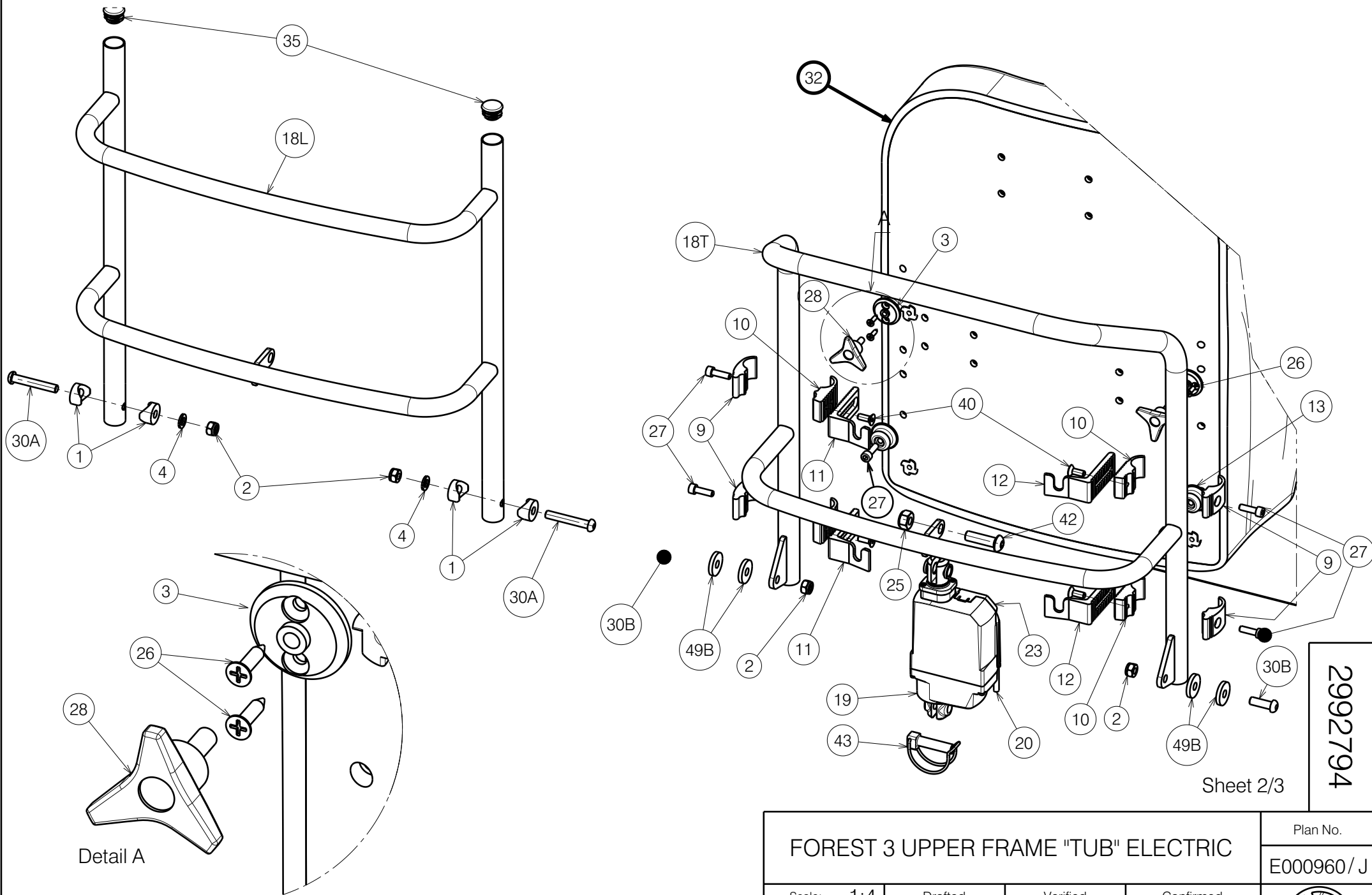


E000960 / J

Sheet 1/3

2992794

FOREST 3 UPPER FRAME "TUB" ELECTRIC				Plan No. E000960 / J
Scale: 1:4	Drafted	Verified	Confirmed	
Date	26/05/2014	19/12/2023	19/12/2023	
Initials	SD	PM	MK	




Detail A

Sheet 2/3

2992794

E000960 / J

FOREST 3 UPPER FRAME "TUB" ELECTRIC				Plan No. E000960 / J
Scale: 1:4	Drafted	Verified	Confirmed	
Date	26/05/2014	19/12/2023	19/12/2023	
Initials	SD	PM	MK	

Material											
No.	Plan	Article	Quantity	No.	Plan	Article	Quantity	No.	Plan	Article	Quantity
1	X000862	1006463	4	26**	D3.9 DIN7985	1005767	4	46	M8x20 DIN7991	1903136	4
2	X001016	1001682	11	27**	M6x20 DIN912/8.8	1001493	6	47	Y021021	2007454	1
3**	X001052	G066600	2	28**	M6x15	1009932	2	48	Ø4x11	1001583	4
4	X001119	1001554	6	29	M12 PA6.6	1993362	2	49	X004048	1902685	4
5	X001398	1009689	2	30A	M8x50 ISO7380	1902483	2	50	M8x20 ISO7380	1992349	2
6	X002381	1009335	1	30B	M8x25 ISO7380	1990501	2	51	M8 DIN125	1003199	2
7	X003403	1617400	4	31	Soft gray	1906929 (40)	1				
8	X004819	1750300	2		Soft black	2998176 (40)	1				
9**	X004820	1744532	4		Soft gray	1906931 (45)	1				
10**	X004821	1744632	4		Soft black	2998177 (45)	1				
11**	X004822	1744732	2		Soft gray	1906933 (50)	1				
12**	X004823	1744832	2		Soft black	2998178 (50)	1				
13	X004861	1906454	2	32	Soft gray	1906938 (40)	1				
14	Y018564	1774200	2		Soft black	2996185 (40)	1				
15	Y017414	1775254 (40)	1		Soft gray	1906940 (45)	1				
	Y017984	1769754 (45)	1		Soft black	2996186 (45)	1				
	Y017889	1776054 (50)	1		Soft gray	1906942 (50)	1				
16	Y018411	1778354 (40)	1		Soft black	2996187 (50)	1				
	Y018368	1778454 (45)	1	33	M10x45 ISO7380	1908848	1				
	Y018369	1778554 (50)	1	34	M8x40 ISO7380	1008739	2				
17	Y019511	1784654 (40)	1	35*	Ø22	1990648	2				
	Y019510	1784754 (45)	1	36	M8x16 DIN912	1001498	4				
	Y019512	1784854 (50)	1	37	---	2993352	1				
18L*	Y019513	1784954 (40)	1	38	M6x30 DIN7984	1992721	12				
	Y019509	1785054 (45)	1	39	M8x35 ISO7380	1993236	1				
	Y019514	1785154 (50)	1	40**	M6x16 DIN7991	1994752	4				
18T**	Y021017	2007354 (40)	1	41	---	1997922	2				
	Y020966	2007154 (45)	1	42	M10x35 ISO7380	1009442	1				
	Y020964	2007254 (50)	1	43	Ø10x40	1991481	1				
19	---	1906790	2	44	M6x12 ISO7380	1007000	4				
20	---	1906791	2	45	30x15	1009992	2				
21	Y019775	1790554	1								
23	---	1906792	2								
24	M6 DIN985	1001680	12								
25	M10 DIN985	1001683	3								

2992794

\* for L44 back rest  
 \*\* for cushion back rest  
 A for L44 (40-45-50)  
 B for L34 (40-45-50)

Sheet 3/3

FOREST 3 UPPER FRAME "TUB" ELECTRIC			
Scale: 1:4	Drafted	Verified	Confirmed
Date	26/05/2014	19/12/2023	19/12/2023
Initials	SD	PM	MK

Plan No.  
E000960 / J

E000960 / J

