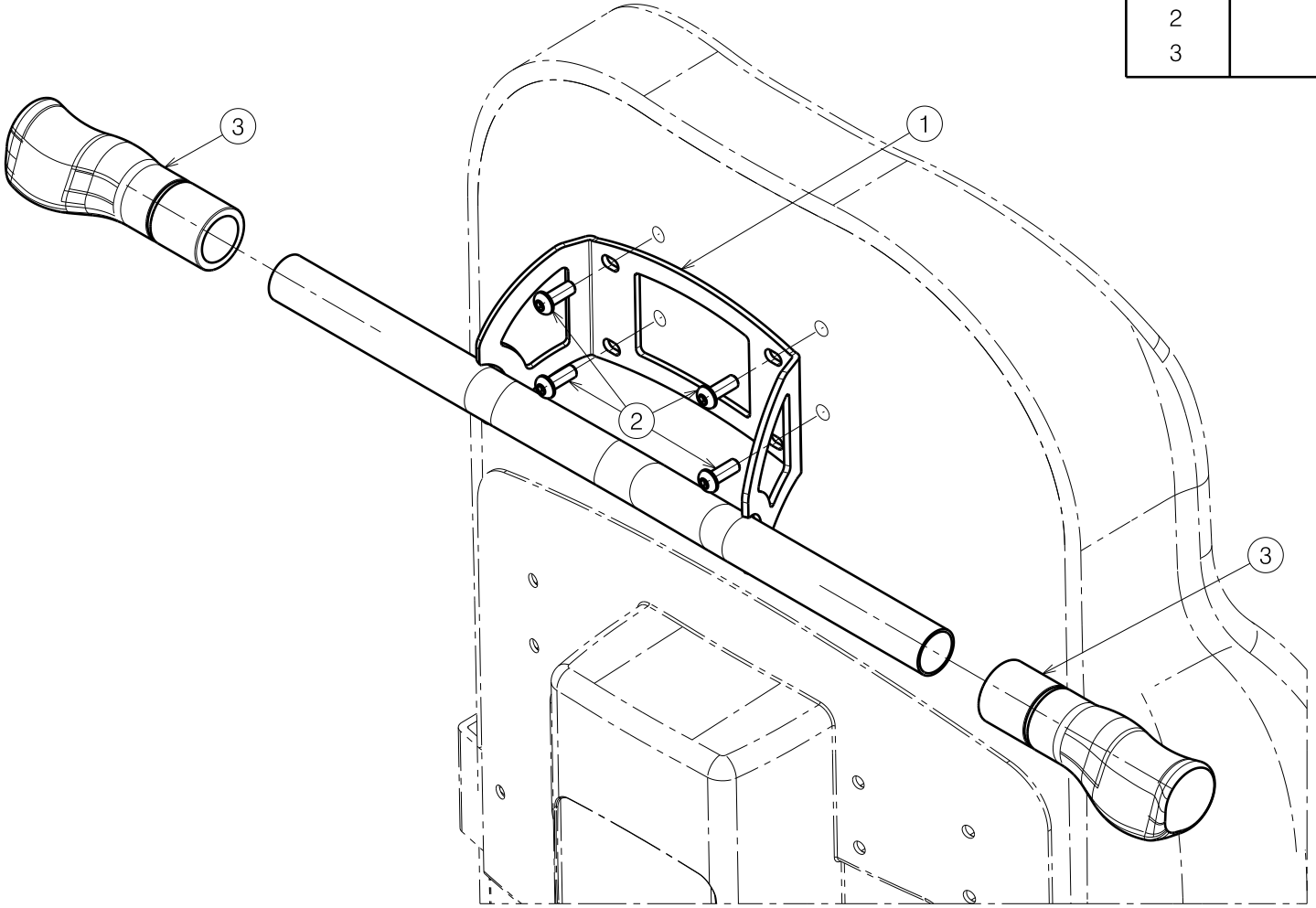



Material			
No.	Plan	Article	Quantity
1	Y020044	1790254	1
2	---	1008459	4
3	---	1992600	2



E000940 / A

<h3>PUSHBAR SE26 TIMIX</h3>				Plan No.
				E000940 / A
Scale: 1:3	Drafted	Verified	Confirmed	
Date	09/07/2013	09/07/2013	09/07/2013	
Initials	TT	PA	PJ	