
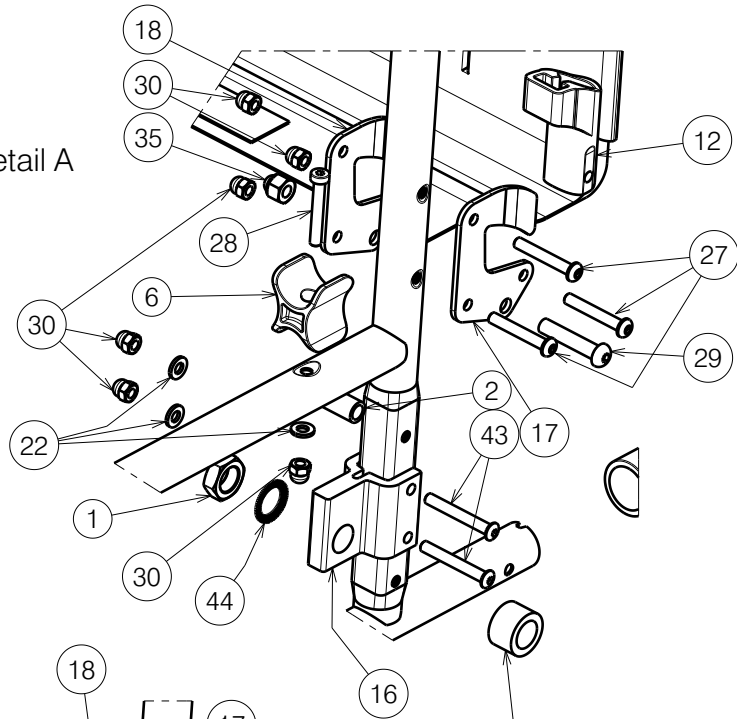


Detail C

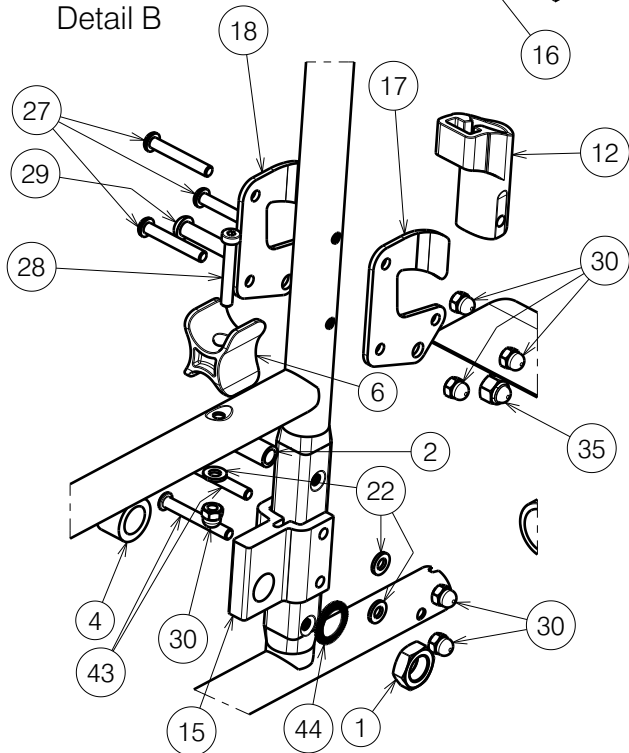
E000731 / F

V100G FRAME				Plan No.
				E000731 / F
Scale: 1:8	Drafted	Verified	Confirmed	
Date	16/05/2011	24/11/2023	24/11/2023	
Initials	SD	PM	AS	

Detail A




Detail B



E000731 / F

Material							
No.	Plan	Article	Quantity	No.	Plan	Article	Quantity
1	X002437	1992699	2	28	---	1006850	4
2	X003204	1585100	2	29	---	1008739	2
4	X003986	1902199	2	30	---	1008492	16
5	X004973	1907519	4	32	---	1994605	2
6	X004309	1904133	2	33	---	1992559	4
7	X004406	1722400	2	34	---	1992599	2
8	X004407	1904573	4	35	---	1902024	2
9	X004415	17193	2	36	---	1903903	2
10	X004420	1904134	2	37	---	1998993	2
11	X004469	1905045	2	38	XC00037	3990106	2
12	X004487	1904581	2	39	---	1905244	2
13	X004568	1904657	2	40	---	1905667 (39)	1
14	X004574	1904658	2		---	1905668 (42)	1
15	X004897	17552	1		---	1905669 (44)	1
16	X004898	17551	1		---	1905670 (46)	1
17	Y016062	1736004	2		---	1905671 (48)	1
18	Y016063	1736104	2		---	1905672 (50)	1
19	Y017589	17542..	1	42	---	1906244	2
20	Y017592	17543..	1	43	---	1991017	4
21	---	1001550	2	44	M16 type S DIN17222	1911653	2
22	---	1001564	10	45	---	1998994	2
23	---	1001608	2	46	---	1905799	1
24	---	1001684	2	47	---	1905800	1
25	---	1003021	2	48	---	1992835	4
26	---	1003294	2				
27	---	1006111	6				

V100G FRAME				Plan No.
				E000731 / F
Scale: 1:8	Drafted	Verified	Confirmed	
Date	16/05/2011	24/11/2023	24/11/2023	
Initials	SD	PM	AS	