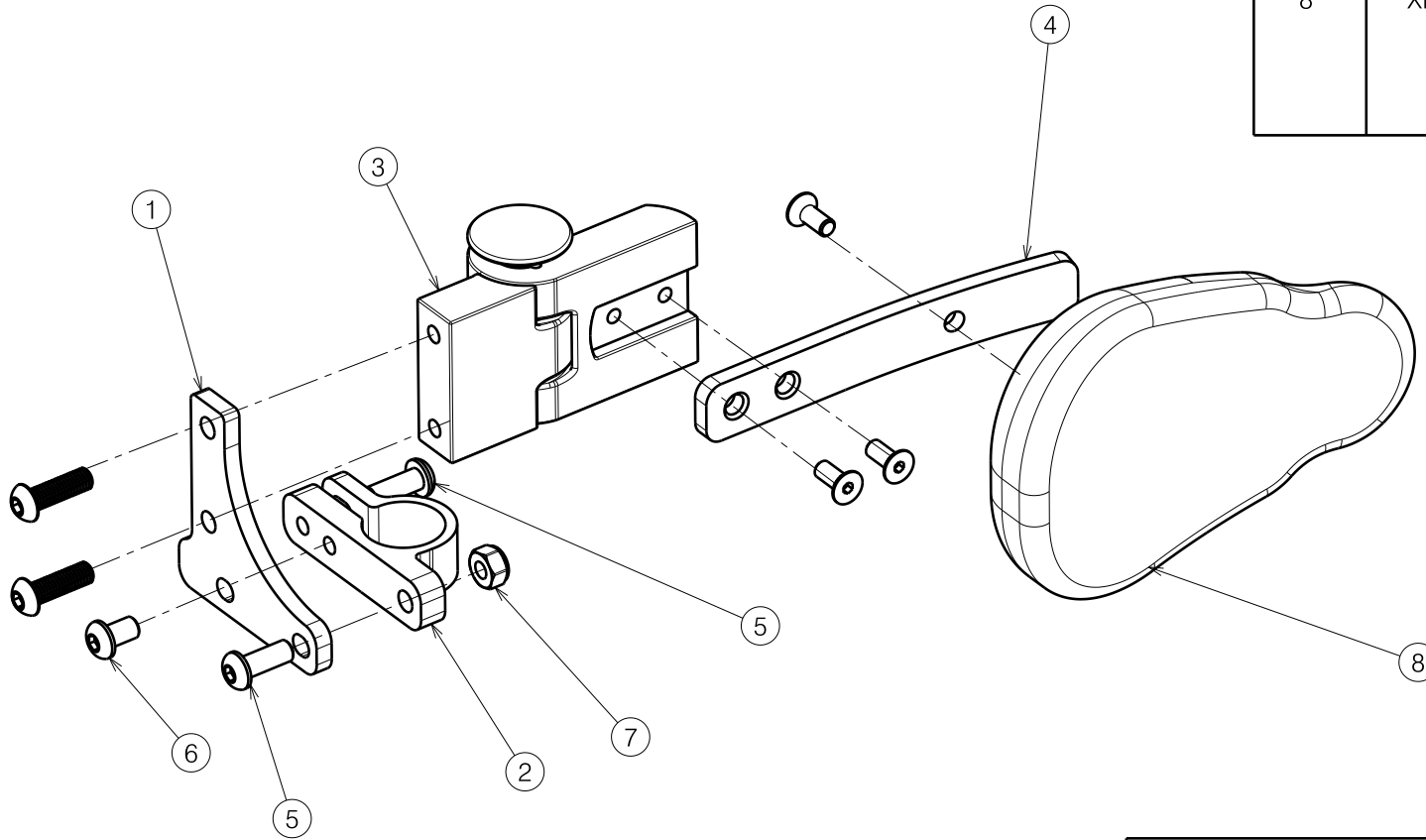


Material			
No.	Plan	Article	Quantity
1	YP06400	2769065	1
2	XP02076	GP15199	1
3	XP02089(L)	2993815	1
	XP02088(R)	2993814	1
4	XP02316	2994216	1
5	M6x16	2994067	2
6	M6x10	2994127	1
7	M8	2994063	1
8	XP02315	2994215	1



EP00364 / A

MECHANISM OF A SMALL PELOT TRIGO				Plan No.
				EP00364 / A
Scale: 1:2	Drafted	Verified	Confirmed	
Date	20/11/2018	20/11/2018	20/11/2018	
Initials	AS	MK	TK	