
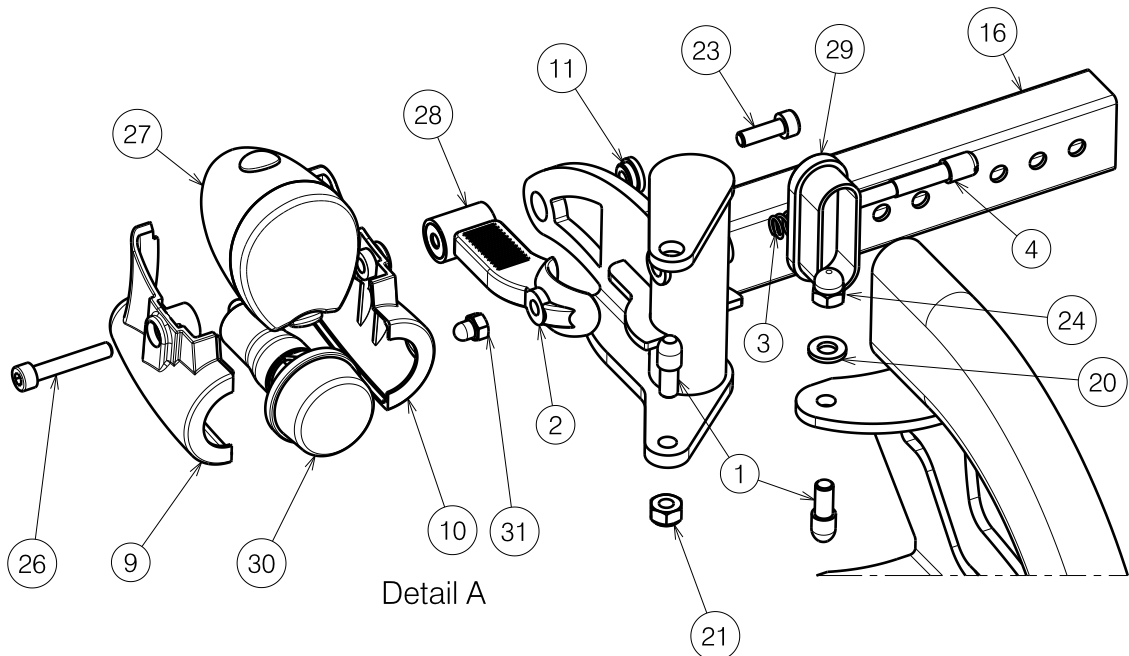
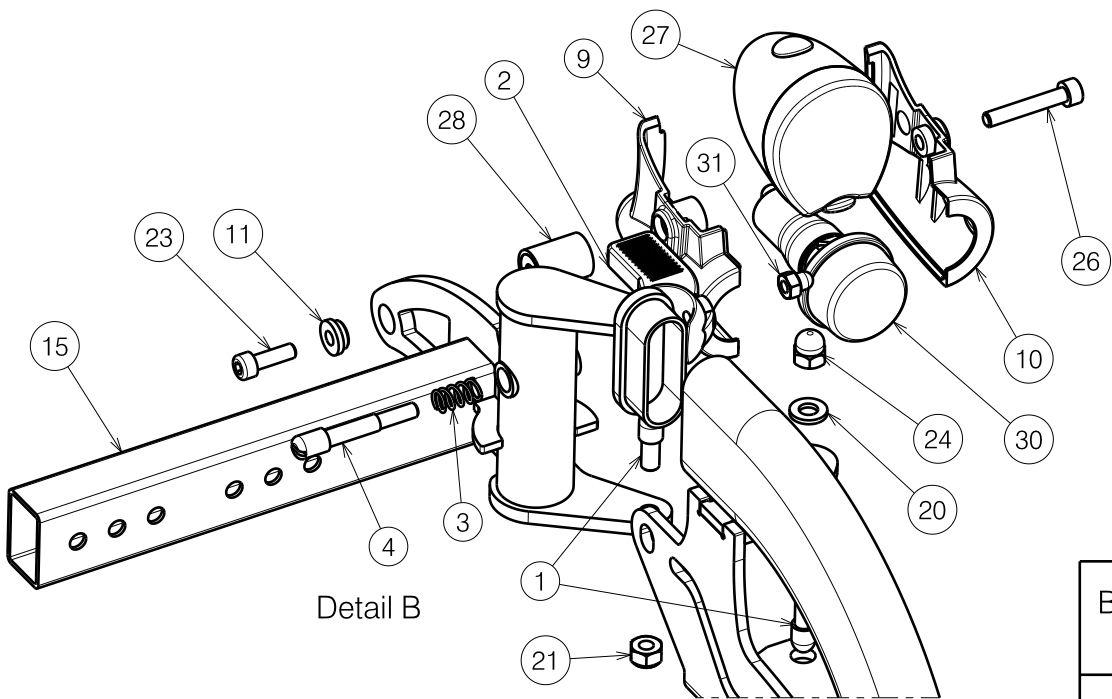


E001077 / D

BK6 FOOTREST FOREST 3 / FOREST 3* / FOREST 3+				Plan No.
Sheet 1/2				E001077 / D
Scale: 11:50	Drafted	Verified	Confirmed	
Date	26/07/2017	03/03/2020	03/03/2020	
Initials	SD	SD	PJ	



Detail A



Detail B

Material				
No.	Plan	Article	Quantity	
1	X000227	1465200	4	
2	X002126	1992429	2	
3	X002169	1992791	2	
4	X004360	G080000	2	
5	X004706	1905703	1	
6	X004707	1905704	1	
7	X004711	1736500	1	
8	X004712	1736600	1	
9	X004942	1907377	2	
10	X004943	1907376	2	
11	X004960	1907430	2	
12	X005133	1787000	2	
13	Y019293	1786654	1	
14	Y019298	1786754	1	
15	Y019772	1792554	1	
16	Y019774	1792654	1	
17	Y021285	2039800	1	
18	Y021286	2039900	1	
19	YP03941	2880732 (40)	1	
		Y021287	2070132 (45)	1
		Y022682	2042832 (50)	1
		Y023775	2076932 (55)	1
		Y022419	2040032 (60)	1
		Y023764	2077032 (65)	1
		Y023755	2077132 (70)	1
20	M6 DIN125	1001564	2	
21	M6 DIN985	1001680	6	
22	M6x60 DIN912	1005957	1	
23	M5x16 DIN912	1007198	2	
24	M6	1008492	3	
25	M6x20 DIN7991	1903081	4	
26	M5x30 DIN912	1903983	2	
27	---	1907340	2	
28	70° SHORE	1910745	2	
29	48x20	1990980	2	
30	---	1991679	2	
31	M5 DIN986	1992804	2	

E001077 / D

BK6 FOOTREST FOREST 3 / FOREST 3* / FOREST 3+				Plan No.
Sheet 2/2				E001077 / D
Scale: 11:50	Drafted	Verified	Confirmed	
Date	26/07/2017	03/03/2020	03/03/2020	
Initials	SD	SD	PJ	